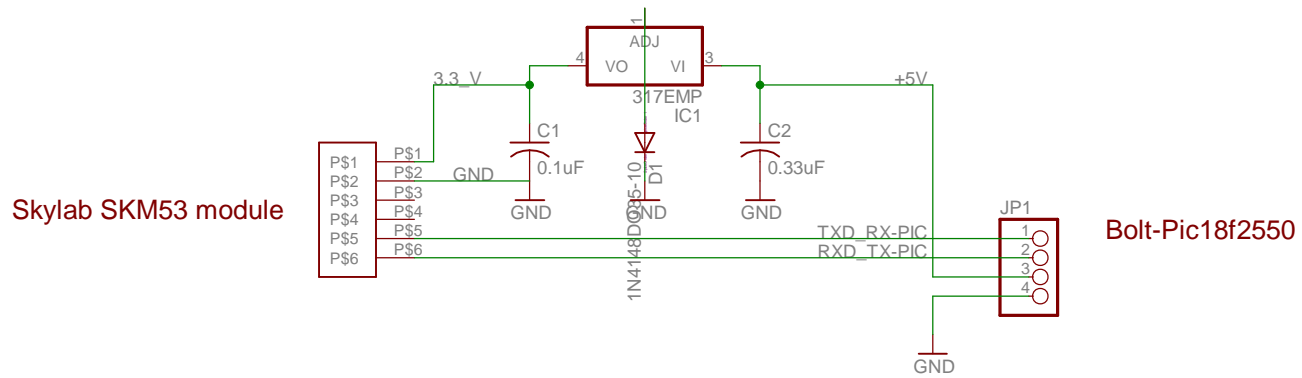


3.9 volts regulator



Skylab SKM53 to BOLT PIC18F2550 system adapter

TITLE: Bolt-Pic18F2550_Skylab-SKM53_adapter

Document Number:

REV:

Date: 25/06/2015 12:06:01 p.m.

Sheet: 1/1