

SPECIFICATION OF

Fresnel Lens

Part No: NL-11NH

Fresnel Lens NL-11NH

Model No.

NL-11NH: Spherical Shape Fresnel Lens

Physical Configuration

See Figure 1

Material

High Density Polythene

Optical Characteristics

- i. Number of Zones: 17 Zones
- ii. Field of View: See Figure 2
- iii. Focal Length: 12.9mm

Environmental Requirements

- i. Operating Temperature: -20 - +70 °C
- ii. Storage Temperature: -25 - +75 °C

Avoid radiation of strong UV including direct sunlight

Dimension

Unit (mm)

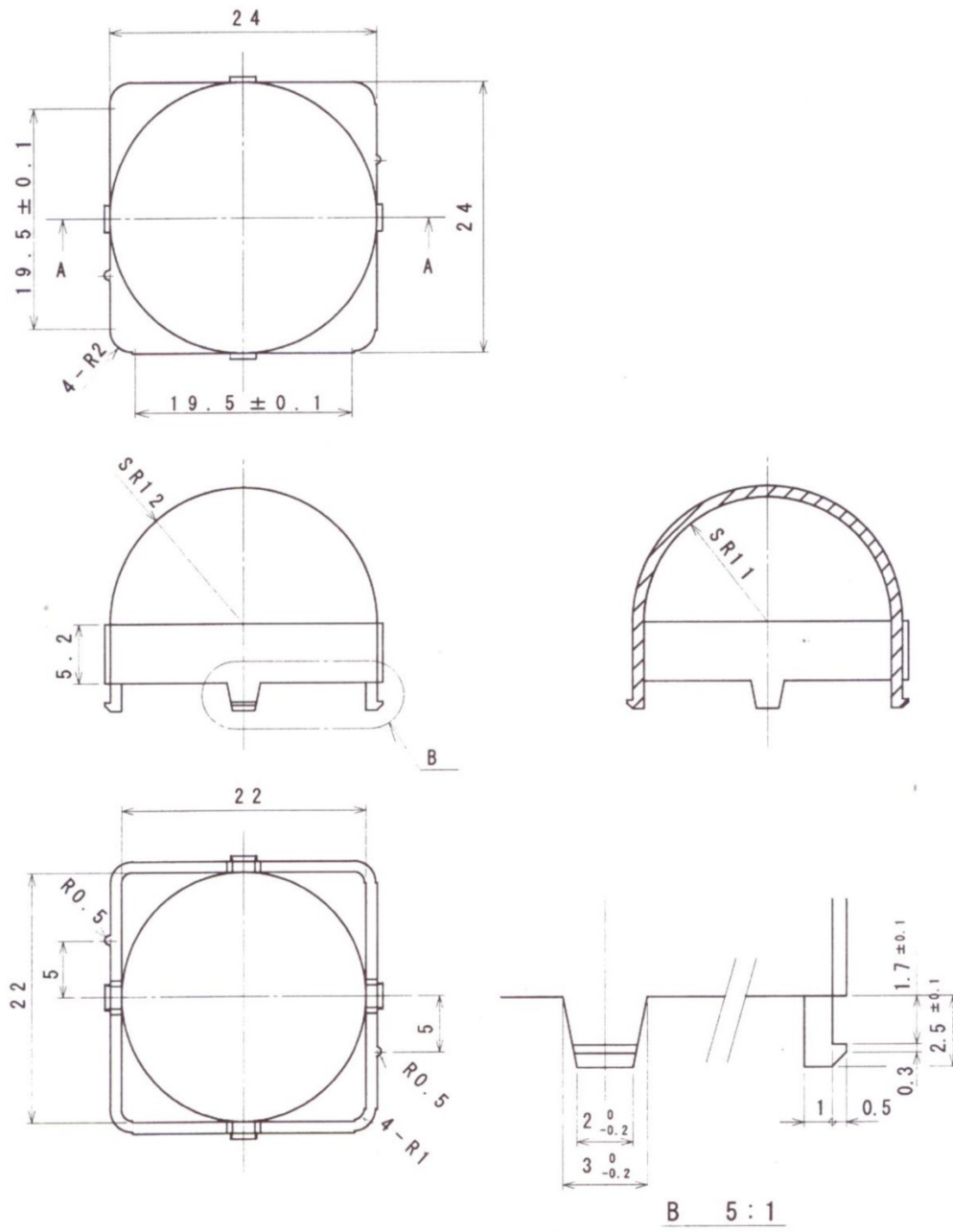


Figure 1

Field Of View

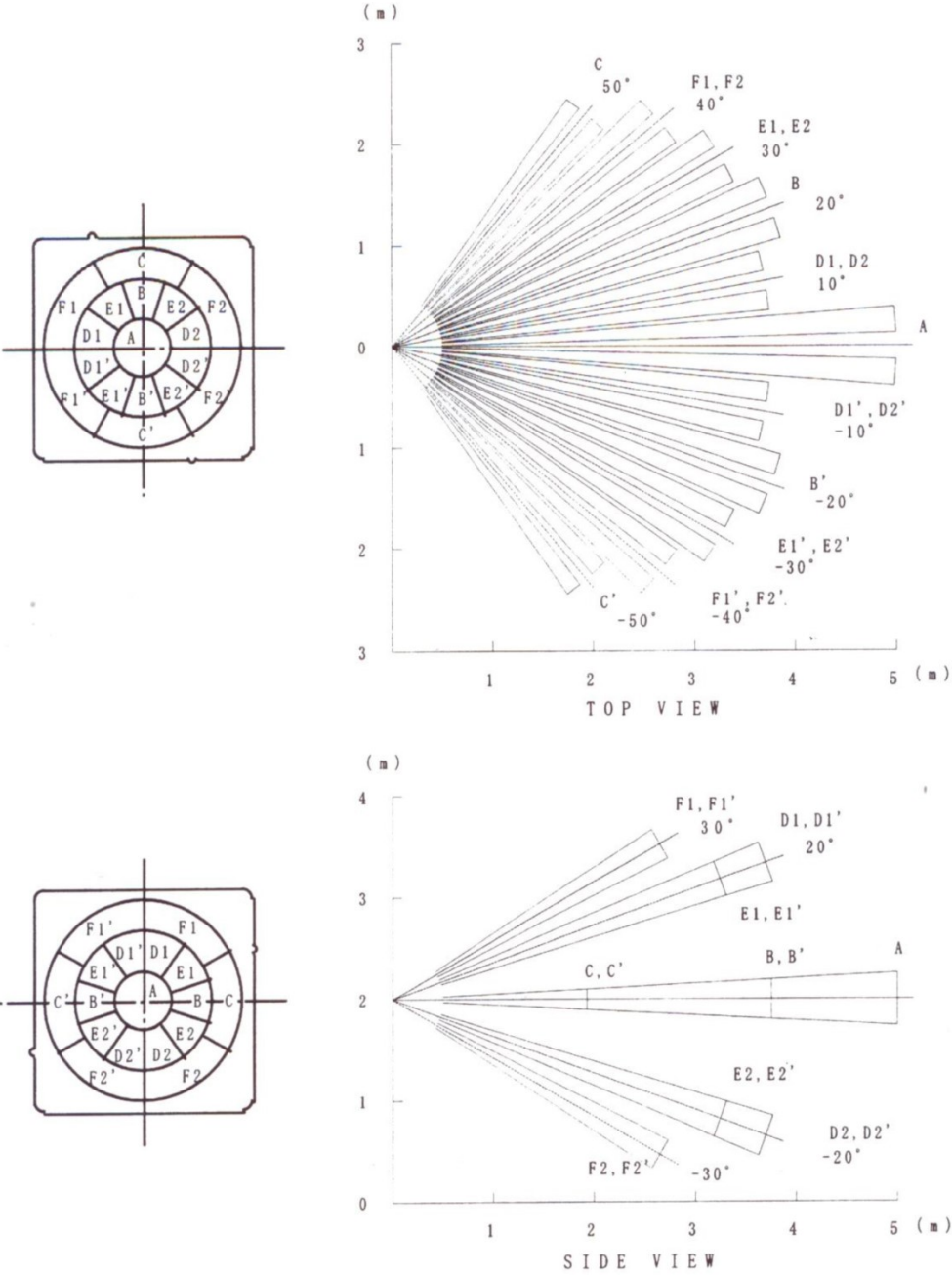


Figure 2