

HOPE RF

HM-TR

HM-TR Series Transparent Wireless Data Link Module

GENERAL

HM-TR series transparent wireless data link module is developed by Hope microelectronics Co. Ltd, dedicated for applications that needs wireless data transmission. It features high data rate, longer transmission distance. The communication protocol is self controlled and completely transparent to user interface. The module can be embedded to your current design so that wireless communication can be set up easily.

FEATURES

1. FSK technology, half duplex mode, robust to interference
2. ISB band, no need to apply frequency usage license
3. Operation frequency can be configured and can be used in FDMA applications
4. Transmitted frequency deviation and receiver bandwidth can be selected.
5. Protocol translation is self controlled, easy to use.
6. Data rate can be select from a wide range.
7. Provide ENABLE pin to control duty-cycle to satisfy different application requirements
8. High sensitivity, long transmission range.
9. Standard UART interface, TTL or RS232 logic level selectable
10. Very reliable, small size, easier mounting.
11. No tuning in producing

APPLICATION

1. Remote control, remote measurement system
2. Wireless metering
3. Access control
4. Identity discrimination
5. Data collection
6. IT home appliance
7. Smart house products
8. Baby monitoring

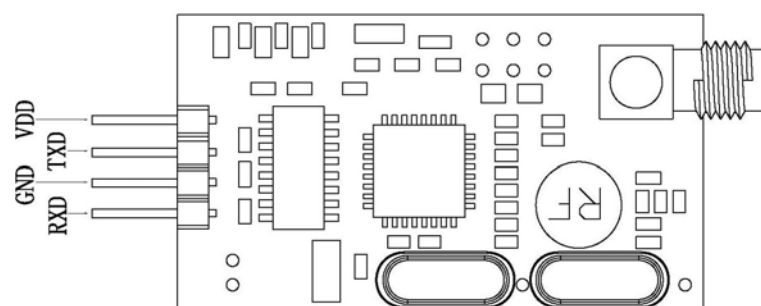
Mechanical and Pin Definition



HM-TRXXX-232



HM-TRXXX-TTL



Pins Definition

HOPE RF

HM-TR

<p>HOPE MICROELECTRONICS CO.,LTD Rm B.8/F LiJingGe Emperor Regency 6012 ShenNan Rd., Shenzhen,China Tel: 86-755-82973805 Fax: 86-755-82973550 Email: sales@hoperf.com trade@hoperf.com Website: http://www.hoperf.com http://www.hoperf.cn http://hoperf.en.alibaba.com</p>	<p>This document may contain preliminary information and is subject to change by Hope Microelectronics without notice. Hope Microelectronics assumes no responsibility or liability for any use of the information contained herein. Nothing in this document shall operate as an express or implied license or indemnity under the intellectual property rights of Hope Microelectronics or third parties. The products described in this document are not intended for use in implantation or other direct life support applications where malfunction may result in the direct physical harm or injury to persons. NO WARRANTIES OF ANY KIND, INCLUDING, BUT NOT LIMITED TO, THE IMPLIED WARRANTIES OF MECHANICAL FITNESS OR FITNESS FOR A PARTICULAR PURPOSE, ARE OFFERED IN THIS DOCUMENT.</p> <p>©2006, HOPE MICROELECTRONICS CO.,LTD. All rights reserved.</p>
--	---

Electrónica S.A. de C.V.