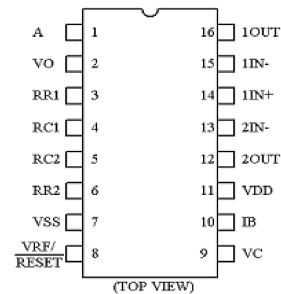


# BISS0001 PIR CONTROLLER

## BISS0001 GENERAL DESCRIPTION

BISS0001 is a PIR (passive infra-red) controller, using analog mixing digital design technique and manufactures by CMOS process. With special noise immunity technique, BISS0001 is the most stable PIR controller you can find on the market. More than this, there are few components needed in its application circuit which can reduce material cost and increase competitive.



## BISS0001 Absolute Maximum Ratings

Parameter	SYMBOL	VALUE	Units
POWER SUPPLY Vdd WITH REPECT TO Vss	Vdd-Vss	5.0	V
VOLTAGE ON ANY PIN		-0.3-5.6	V
OPERATING TEMPERATURE	Top	0-70	C
STORAGE TEMPERATURE		-65-150	C

## BISS0001 ELECTRICAL CHARACTERISTICS

Symbol	Parameter	Condition	Min.	Typ.	Max.	Unit
Vdd	SUPPLY VOLTAGE		3	5	6	V
Ist	STANDY CURRENT		0.9	1.0	1.2	mA
Idd	OPERATING CURRENT	1.8mA, TRIAC 2.5mA, RELAY	1.8		2.5	mA
Vref	STABLE VOLTAGE	Vdd>4.2V	3.0	3.2	3.4	V
Iref	SOURCE CURRENT OF Vref		200			uA
	RIPPLE OF Vref				0.5	mV
	INPUT AND OUTPUT REGULATION OF Vref				0.3%	
Ftb	TIME BASE OPERATING FREQUENCY		15	16	17	KHZ
Vt+	CDS OPERATING TRIGGER		1.3	1.7	2.1	V
Vt-	CDS OPREATING TRIGGER		0.6	0.9	1.1	V
Icds	CDS SOURCE CURRENT		2.6	3.5	4.4	uA
Isource	CDS OUTPUT SOURCE CURRENT		9	10.4	17.4	mA
Isink	CDS OUTPUT SINK CURRENT		11.6	13	21	mA

Silvan Chip Electronics Tech.Co.,Ltd.

Address: F1.16 FuChang Building, Binhe Rd, Shenzhen, China

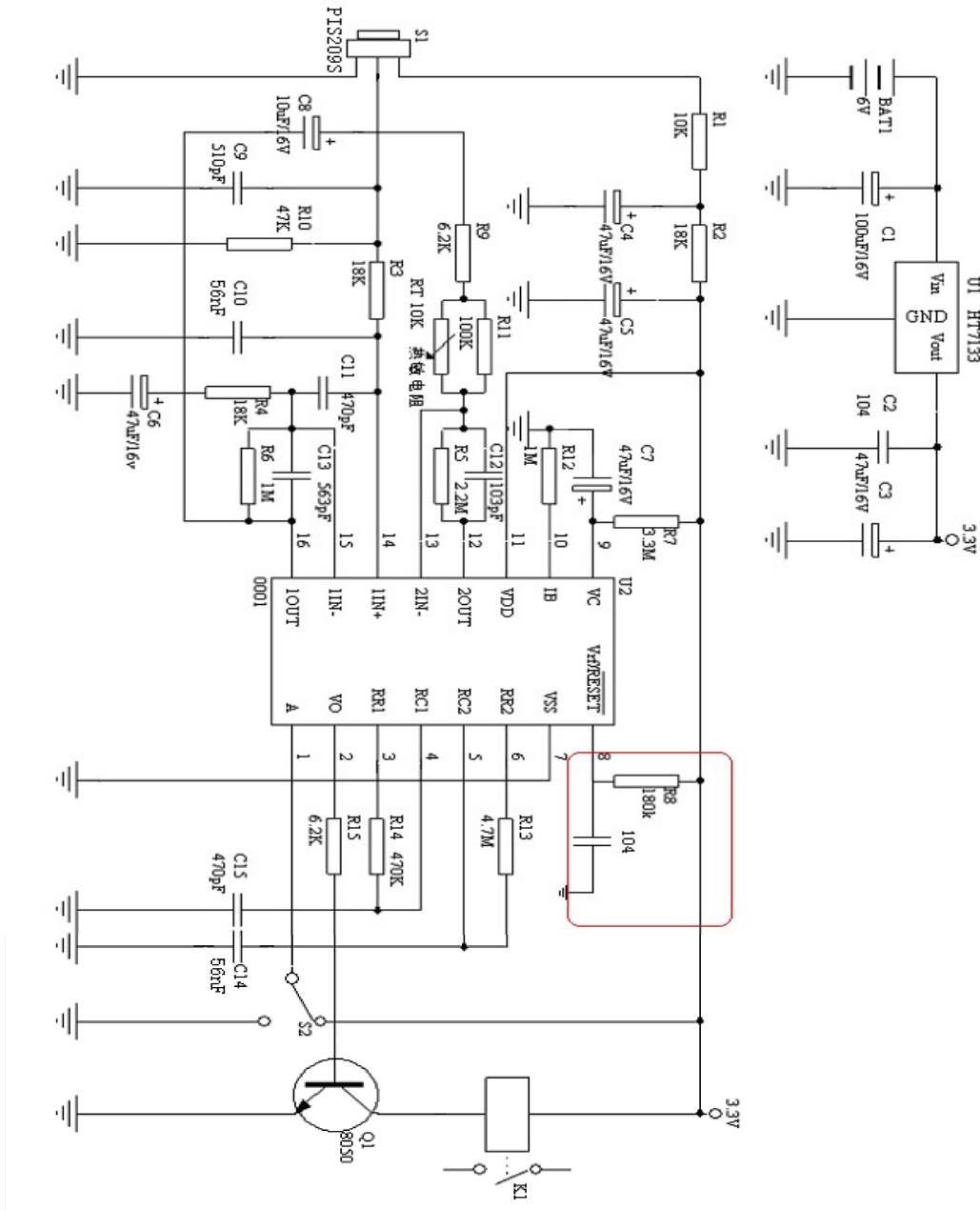
Phone: 86-0755-88291843 88304213 Fax : 86-0755-88290509

Email: [jia@sc-tech.cn](mailto:jia@sc-tech.cn) Http:// [www.sc-tech.cn](http://www.sc-tech.cn)

# BISS001 PIR CONTROLLER

Irs	RELAY SOURCE CURRENT			5	mA
Irsink	RELAY SINK CURRENT			5	mA
Vro	RELAY OPERATING VOLTAGE	18.8V: RELAY ON 13.1V: RELAY OFF	13.1	18.8	V
Itsink	TRIAC SINK CURRENT			15	mA
Itsource	TRIAC SOURCE CURRENT			50	uA

## BISS001 TYPICAL APPLICATION



Silvan Chip Electronics Tech.Co.,Ltd.

Address: F1.16 FuChang Building, Binhe Rd, Shenzhen, China

Phone: 86-0755-88291843 88304213 Fax: 86-0755-88290509

Email: [jia@sc-tech.cn](mailto:jia@sc-tech.cn)

Http:// [www.sc-tech.cn](http://www.sc-tech.cn)